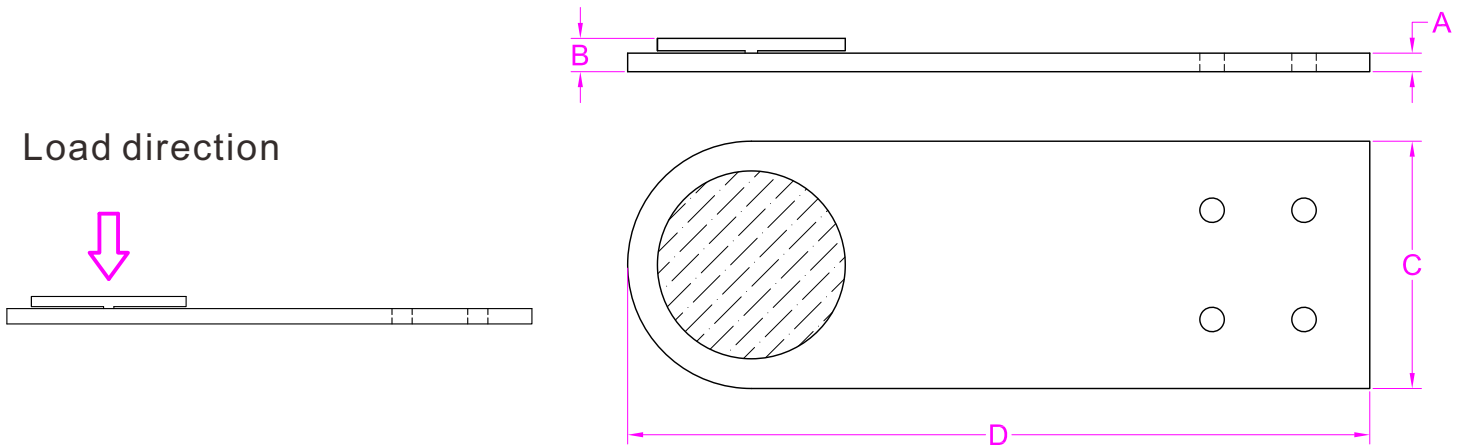
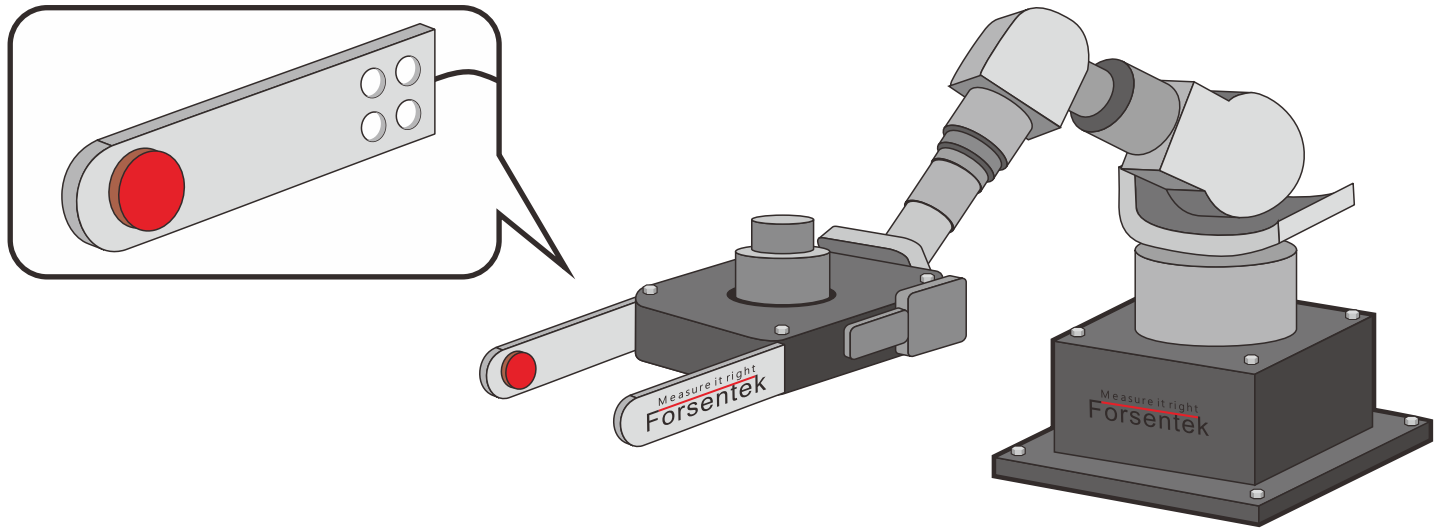


## Customizable clamping force sensor



■ The above drawing is only for reference. Dimensions are up to the specific applications

### Description

- Specially designed for manipulators
- Measuring the clamp-on force while working as a clamp
- Custom design for different applications.

### Contact us with following details for customized solutions:

- 1---Dimensions(Loading area, mounting spec.,etc.)
- 2---Capacity
- 3---Output signal
- 4---Cable and electrical connection
- 5---Working environment(temp. and humidity)
- 6---Accuracy

■ 非标产品，可根据实际应用提供定制化解决方案。